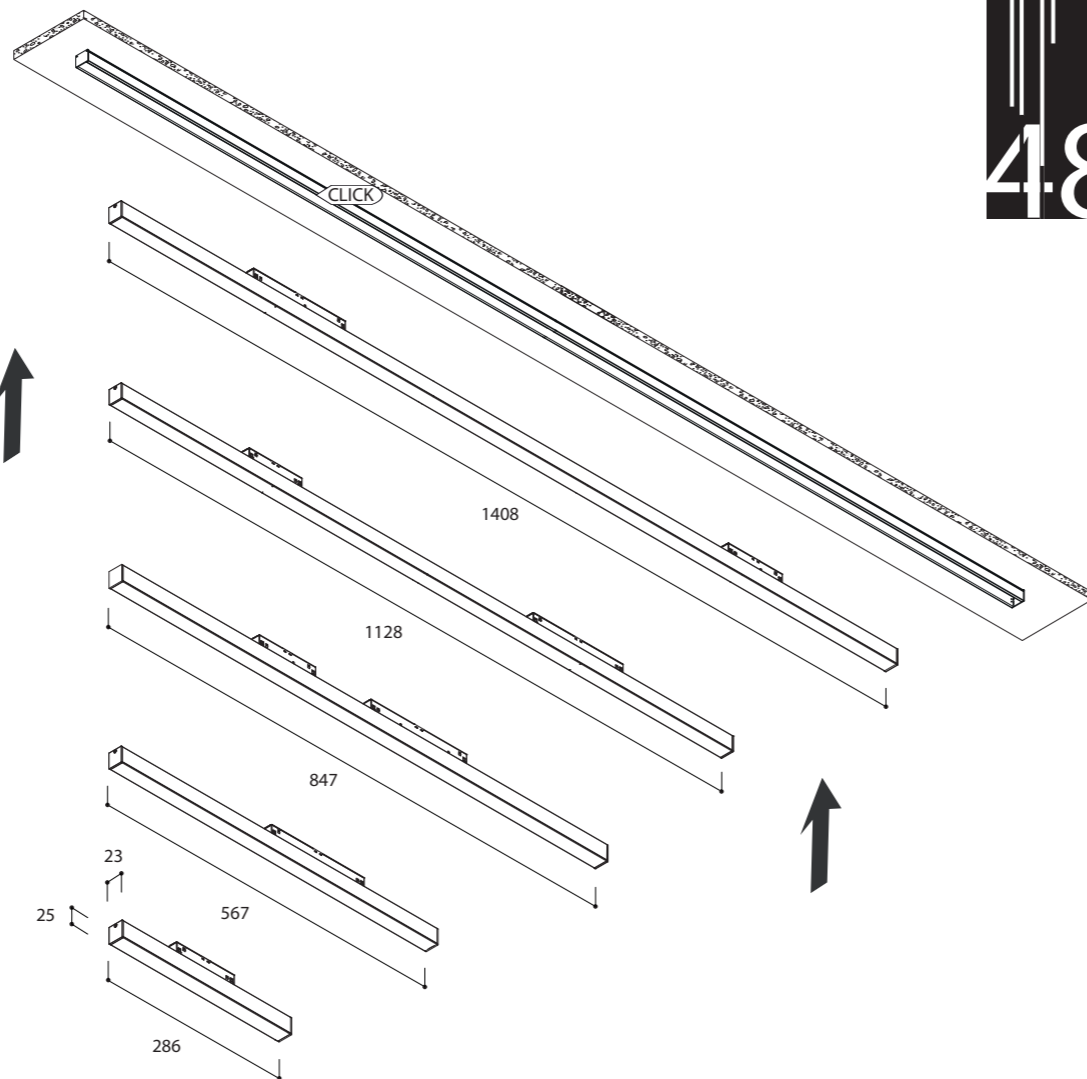


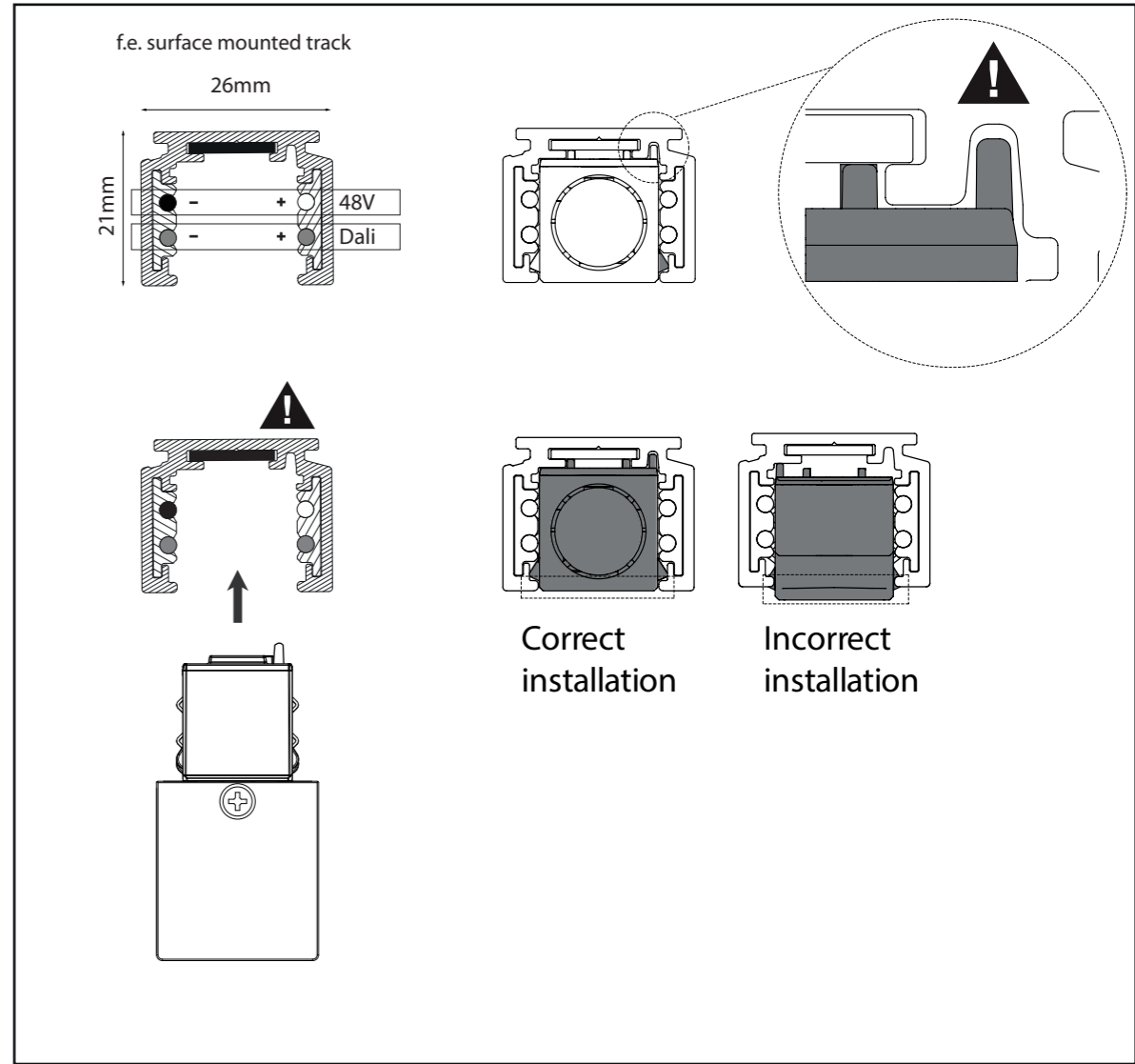
name MAGNETIC LEDLINES TRACK 48V OPAL

446700	MAGNETIC LED 48V L286 3000K CR190 OPAL DALI	BLACK
446701	MAGNETIC LED 48V L286 4000K CR190 OPAL DALI	BLACK
446702	MAGNETIC LED 48V L286 2700K CR190 OPAL DALI	BLACK
446706	MAGNETIC LED 48V L286 3000K CR190 OPAL	BLACK
446707	MAGNETIC LED 48V L286 4000K CR190 OPAL	BLACK
446708	MAGNETIC LED 48V L286 2700K CR190 OPAL	BLACK
446754	MAGNETIC LED 48V L286 3000K CR190 OPAL DALI	WHITE
446755	MAGNETIC LED 48V L286 4000K CR190 OPAL DALI	WHITE
446756	MAGNETIC LED 48V L286 2700K CR190 OPAL DALI	WHITE
446760	MAGNETIC LED 48V L286 3000K CR190 OPAL	WHITE
446761	MAGNETIC LED 48V L286 4000K CR190 OPAL	WHITE
446762	MAGNETIC LED 48V L286 2700K CR190 OPAL	WHITE
446712	MAGNETIC LED 48V L567 3000K CR190 OPAL DALI	BLACK
446713	MAGNETIC LED 48V L567 4000K CR190 OPAL DALI	BLACK
446714	MAGNETIC LED 48V L567 2700K CR190 OPAL DALI	BLACK
446718	MAGNETIC LED 48V L567 3000K CR190 OPAL	BLACK
446719	MAGNETIC LED 48V L567 4000K CR190 OPAL	BLACK
446720	MAGNETIC LED 48V L567 2700K CR190 OPAL	BLACK
446766	MAGNETIC LED 48V L567 3000K CR190 OPAL DALI	WHITE
446767	MAGNETIC LED 48V L567 4000K CR190 OPAL DALI	WHITE
446768	MAGNETIC LED 48V L567 2700K CR190 OPAL DALI	WHITE
446772	MAGNETIC LED 48V L567 3000K CR190 OPAL	WHITE
446773	MAGNETIC LED 48V L567 4000K CR190 OPAL	WHITE
446774	MAGNETIC LED 48V L567 2700K CR190 OPAL	WHITE
446724	MAGNETIC LED 48V L847 3000K CR190 OPAL DALI	BLACK
446725	MAGNETIC LED 48V L847 4000K CR190 OPAL DALI	BLACK
446726	MAGNETIC LED 48V L847 2700K CR190 OPAL DALI	BLACK
446730	MAGNETIC LED 48V L847 3000K CR190 OPAL	BLACK
446731	MAGNETIC LED 48V L847 4000K CR190 OPAL	BLACK
446732	MAGNETIC LED 48V L847 2700K CR190 OPAL	BLACK
446778	MAGNETIC LED 48V L847 3000K CR190 OPAL DALI	WHITE
446779	MAGNETIC LED 48V L847 4000K CR190 OPAL DALI	WHITE
446780	MAGNETIC LED 48V L847 2700K CR190 OPAL DALI	WHITE
446784	MAGNETIC LED 48V L847 3000K CR190 OPAL	WHITE
446785	MAGNETIC LED 48V L847 4000K CR190 OPAL	WHITE
446786	MAGNETIC LED 48V L847 2700K CR190 OPAL	WHITE
446736	MAGNETIC LED 48V L1128 3000K CR190 OPAL DALI	BLACK
446737	MAGNETIC LED 48V L1128 4000K CR190 OPAL DALI	BLACK
446738	MAGNETIC LED 48V L1128 2700K CR190 OPAL DALI	BLACK
446742	MAGNETIC LED 48V L1128 3000K CR190 OPAL	BLACK
446743	MAGNETIC LED 48V L1128 4000K CR190 OPAL	BLACK
446744	MAGNETIC LED 48V L1128 2700K CR190 OPAL	BLACK
446790	MAGNETIC LED 48V L1128 3000K CR190 OPAL DALI	WHITE
446791	MAGNETIC LED 48V L1128 4000K CR190 OPAL DALI	WHITE
446792	MAGNETIC LED 48V L1128 2700K CR190 OPAL DALI	WHITE
446796	MAGNETIC LED 48V L1128 3000K CR190 OPAL	WHITE
446797	MAGNETIC LED 48V L1128 4000K CR190 OPAL	WHITE
446798	MAGNETIC LED 48V L1128 2700K CR190 OPAL	WHITE
446748	MAGNETIC LED 48V L1408 3000K CR190 OPAL DALI	BLACK
446749	MAGNETIC LED 48V L1408 4000K CR190 OPAL DALI	BLACK
446750	MAGNETIC LED 48V L1408 2700K CR190 OPAL DALI	BLACK
446751	MAGNETIC LED 48V L1408 3000K CR190 OPAL	BLACK
446752	MAGNETIC LED 48V L1408 4000K CR190 OPAL	BLACK
446753	MAGNETIC LED 48V L1408 2700K CR190 OPAL	BLACK
446802	MAGNETIC LED 48V L1408 3000K CR190 OPAL DALI	WHITE
446803	MAGNETIC LED 48V L1408 4000K CR190 OPAL DALI	WHITE
446804	MAGNETIC LED 48V L1408 2700K CR190 OPAL DALI	WHITE
446805	MAGNETIC LED 48V L1408 3000K CR190 OPAL	WHITE
446806	MAGNETIC LED 48V L1408 4000K CR190 OPAL	WHITE
446807	MAGNETIC LED 48V L1408 2700K CR190 OPAL	WHITE

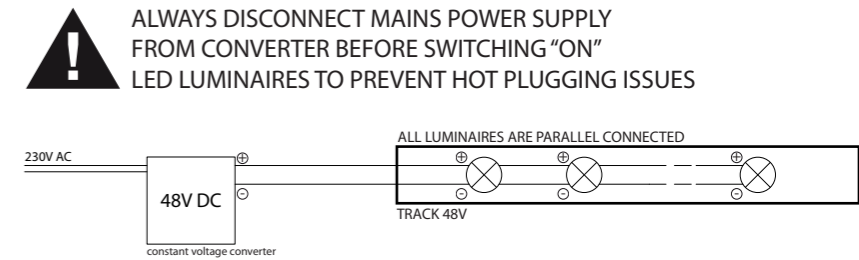
INSTALLATION



4.8V



Length (mm)	286	567	847	1128	1408
safe distance to object	☰ - 0,1m - ☷				
lamp / (lum.flux) / (colortemp)	Ledarray 731lm/744lm/810lm 2700K / 3000K / 4000K	1462lm/1488lm/1620lm 2700K / 3000K / 4000K	2193lm/2232lm/2430lm 2700K / 3000K / 4000K	2924lm/2976lm/3240lm 2700K / 3000K / 4000K	3654lm/3720lm/4050lm 2700K / 3000K / 4000K
fitting	None				
power	6W	11.9W	17.8W	23.8W	29.8W
voltage	48V DC				
symbol					
gear	Converter incorporated				
ip/class	IP20				
application	Ceiling mounted				
light distribution	Non Directional				
dimmability	Not dimm or DALI dimmable				
weight					
CRI	90				
SDCM	2.5				



FOR COMPATIBLE CONVERTERS SEE LEDCONVERTER MATRIX

INSTALLATIE - EN ONDERHOUDSRICHTLIJNEN m.b.t. FABRIEKSGARANTIE.
 1. DE VERBINDINGEN EN HET UITTESTEN VAN DEZE TOESTELLEN DIENEN ALTUJD TE GEBEUREN DOOR EEN ERKENDE ELECTRO-INSTALLATEUR.
 2. DEZE VERLICHTINGSTOESTELLEN MOETEN GE'INSTALLEERD, VERBONDEN EN GETEST WORDEN VOLGENS DE NATIONALE GELDENDE REGLEMENTEN OP DE ELECTRISCHE INSTALLATIES (BELGIE?, A.R.E.I., A.R.E.I., DUTSLSLAND: DIN VDE 0100 TEIL 559 A2, ...; DEZE OPSOMMING IS LOUWER INFORMATIEF)
 3. DE TECHNISCHE BIJSLUITER MOET GEZIEN WORDEN ALS ONDERDEEL VAN DE ALGEMENE VERKOOPVOORWAARDEN VAN TAL N.V.
 4. DE ELECTRO-INSTALLATEUR IS VERANTWOORDELIJK VOOR HET GEBRUIKEN VAN VOORSCHAKELAPPARATUUR DIE VOLDOET AAN DE GELDENDE CE EN EMC NORMEN.
 5. VERVANG DE LAMP (-EN) ALTUJD MET DE GROOTSTE ZORG, ZE IS (ZIJN) UITERST BREEKBAAR.
 6. OPGEPAST: PLAATS NOOIT DE LAMP MET BLOTE HANDEN, GEBRUIK ALTUJD EEN DOEK!

INSTRUCTIONS D'INSTALLATION ET D'ENTRETIEN A RESPECTER VIS-A-VIS DE LA GARANTIE.
 1. LE PLACEMENT, LE RACCORDEMENT ET L'ESSAI DE CET APPAREIL DOIVENT TOUJOURS ETRE EFFECTUES PAR UN INSTALLATEUR ELECTRICIEN AGRE.
 2. LES LUMINAIRES DOIVENT ETRE INSTALLEZ, BRANCHEZ ET TESTES SUIVANT LE REGLEMENT NATIONAL SUR LES INSTALLATIONS ELECTRIQUES EN VIGUEUR. (BELGIE?, A.R.E.I., A.R.E.I., ALLEMAGNE: DIN VDE 0100 TEIL 559 A2, ...; CETTE ENUMERATION EST INDICATIVE)
 3. CE MANUEL D'INSTALLATION TECHNIQUE REPRESENTE UNE PARTIE DES CONDITIONS GENERALES DE VENTE DE TAL N.V.
 4. L'ELECTRO-INSTALLATEUR EST RESPONSABLE POUR L'USAGE DE BALLASTS, TRANSFO'S,...CONFORMES AUX NORMES CE ET EMC EN VIGUEUR.
 5. REMPLACEZ TOUJOURS L'AMPOULE (LES AMPOULES) AVEC PRUDENCE; ELLE(-S) EST (SONT) TRES FRAGILE (-S).
 6. ATTENTION: NE JAMAIS REMPLACER L'AMPOULE AUX MAINS NUES, UTILISEZ TOUJOURS UN CHIFFON!

INSTALLATION AND MAINTENANCE INSTRUCTIONS IN VIEW OF THE MANUFACTURER'S GUARANTEE.
 1. THE CONNECTION AND TESTING OF THE DEVICES SHOULD ALWAYS BE PERFORMED BY A RECOGNIZED ELECTRICIAN.
 2. THESE LIGHTING DEVICES NEED TO BE INSTALLED, CONNECTED AND TESTED FOLLOWING THE OFFICIAL NATIONAL INSTRUCTION GUIDE FOR ELECTRICAL INSTALLATIONS (BELGIUM, A.R.E.I., GERMANY: DIN VDE 0100 TEIL 559 A2, ...; THIS ENUMERATION IS JUST AN INDICATION)
 3. THIS TECHNICAL ENCLOSURE NEEDS TO BE ADDED TO THE GENERAL SALES CONDITION OF THE TAL N.V.
 4. THE ELECTRO TECHNICIAN IS RESPONSABLE TO USE BALLASTS, TRANSFORMERS,...WHICH MEET THE VALID CE AND EMC RULES.
 5. ALWAYS REPLACE THE LAMP (-S) WITH UTMOST CAUTIONSNESS, THE LAMP (-S) IS (ARE) VERY FRAGILE.
 6. ATTENTION: NEVER REPLACE THE LAMP WITH BARE HANDS, ALWAYS USE A CLOTH!

MONTAGE- UN UNTERHALT INSTRUCTIONEN ZU BEACHTEN MIT BEZUG AUF DER GARANTIE.
 1. DIE MONTAGE, DER ANSCHLUSS UND DAS AUSTESTEN DER LEUCHTEN SOLL IMMER VON EINEM ZUSTAENDIGEN ELECTRO-INSTALLATEUR AUSGEFUHRT WERDEN.
 2. DIESE LEUCHTEN MUSSEN INSTALLIERT, ANGESCHLOSSEN UND GETESTET WERDEN NACH DER ALLGEMEINEN NAZIONALEN REGLEMENTATION UBER DIE ELKTRISCHE INSTALLATIONEN (BELGIEN, A.R.E.I., DEUTSCHLAND: DIN VDE 0100 TEIL 559 A2, ...; DIESE AUFSTELLUNG GESCHICHT DURCH EXEMPLATIVEN TITEL UND KANN NICHT ALS LIMITATIV ODER EXHAUTIV BETRACHTET WERDEN).
 3. DIESE TECHNISCHE GEBRAUCHSANWEISUNG GEHORT ZU DEN ALLGEMEINEN VERKAUFSBEDINGUNGEN VON TAL N.V.
 4. DER ELEKTRO-INSTALLATEUR IST VERANTWORTLICH FUR DAS VERWENDEN VON CE UND EMC GEPRUFTE VORSCHLAGEGERATE.
 5. DIE LAMPE(-N) SOLL(-EN) IMMER SERH VORSICHTIG ERSAETZT WERDEN.
 6. VORSICHT: MAN DARF NIE DIE LAMPE MIT DEN NACKTEN HAENDEN BERUHREN, MAN SOLL IMMER EINEN TUCH BENUTZEN!